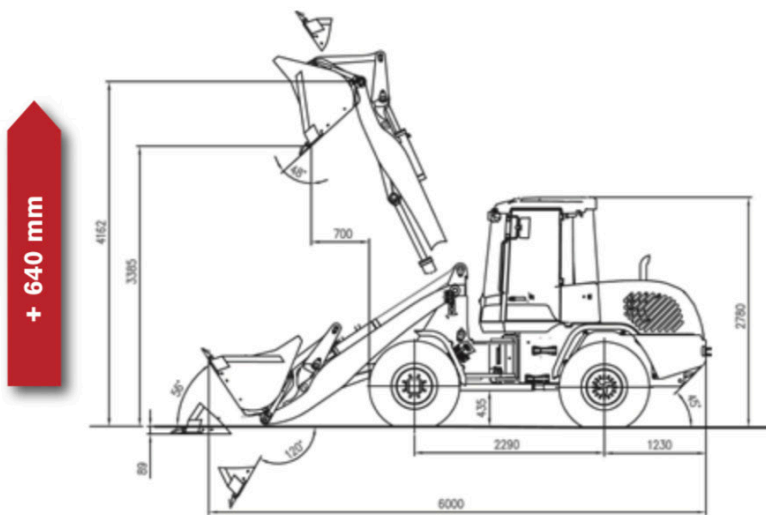


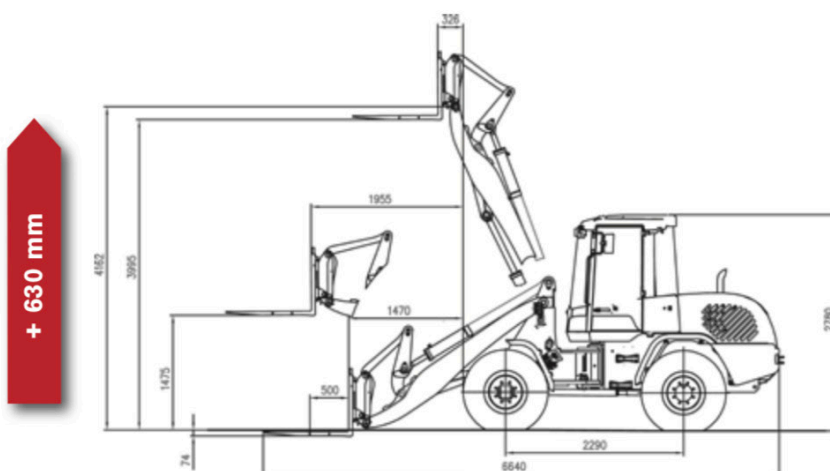
Yanmar V120 High Lift

FUNDAMENTAL CHANGES



► **Maximum dump height**

The hinge pin height is up to 640 mm higher in comparison to the standard loader frame.



► **Use with pallet-forks**

Due to 100% parallel guidance, the loader frame is best suited to use with pallet-forks.

Depending on the model, a stacking height of up to 3.99 m and payloads of up to 2.8 tonnes are possible as standard.

► **Payloads**

Payload – total lift and steering range	2200 kg (4840 lbs)
Payload – total lift and steering range – with rear axle weights	2400 kg (5280 lbs)
Payload in transport position – approx. 300 mm above the ground, total steering range	2600 kg (5720 lbs)

The payloads were determined (acc. to ISO 14397-1 and EN ISO 474-3) with a stability factor of 1.25 or 80% of the tipping load articulated over level ground.